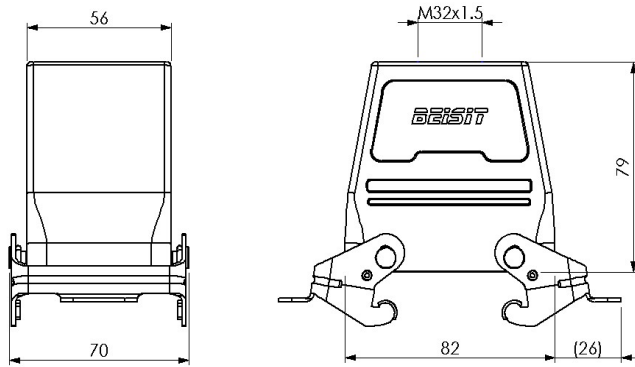


Size 32A Hood , Top entry



Typecode H32A-TO-2L-M32

ID 1 007 01 0000106

Technical Data

Product Properties

Series	Size 32A
Mating with	HA-032, HD-050
Housing type	Sleeve housing
Cable outlets direction	Top opening hole
Cable outlets	M32x 1.5
Locking type	Double locking lever
Protection Class	IP65
Impact strength	IK08
Temperature range	-40 °C ... 125 °C
Standard	DIN EN 175301-801

Insert

Housing material	Die-cast aluminium
Color	Gray (RAL 7037)
Latch	Metal, surface galvanizing
Seal	NBR, black

Commercial data

Weight	0.250 kg
Packaging unit	1 pc
Country of origin	CN

Features

- Die casting of aluminium
- All metal buckle
- Top opening hole
- Resistant to salt spray
- Approval: UL94-V0
- RoHS-compliant

*The design data are listed here, and the changes to the product are not described here. For unfinished matters, please contact customer service. It is the user's responsibility to verify functionality, compliance with applicable laws and instructions, and electrical safety in specific applications.